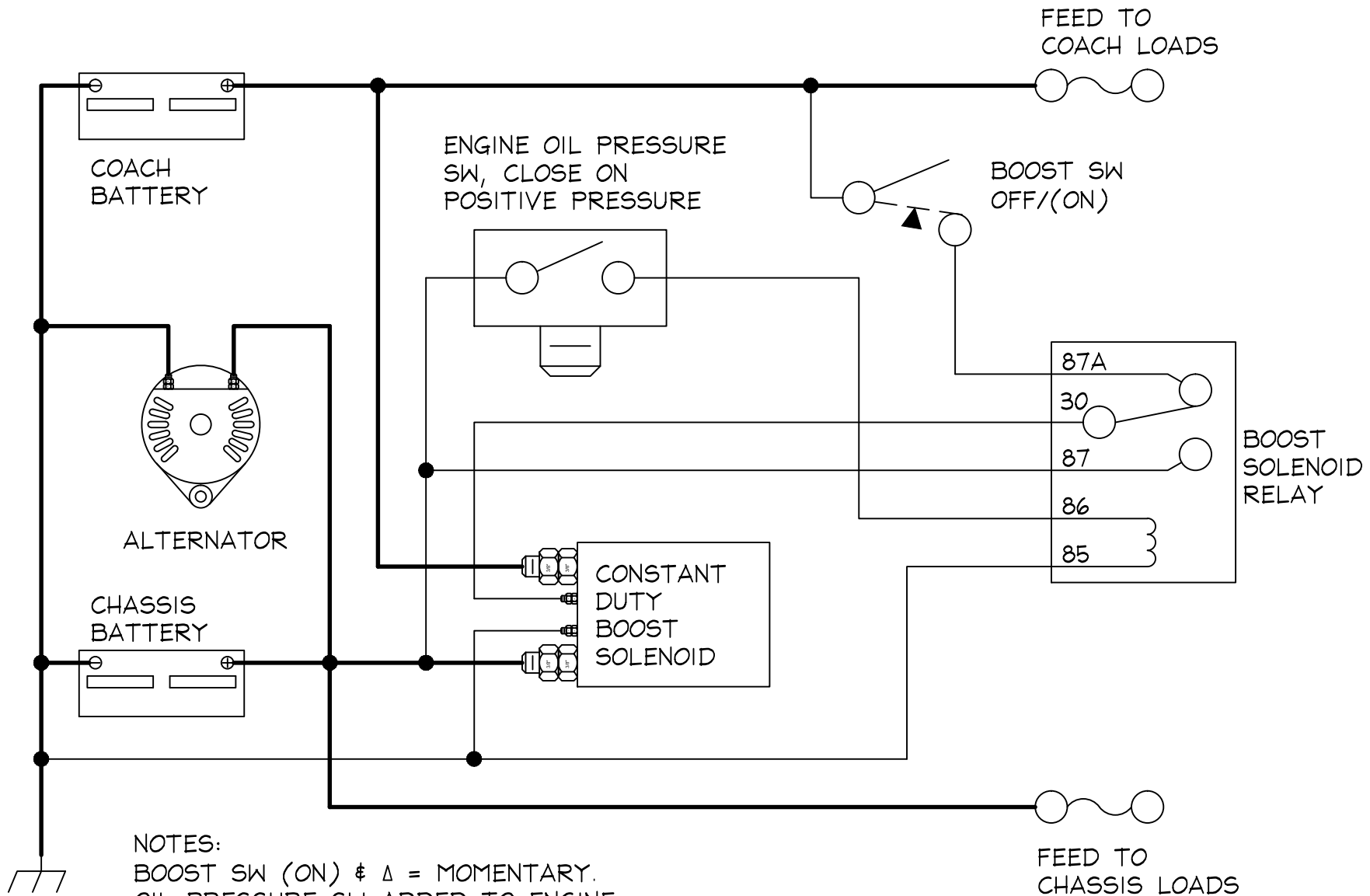


03/06/17 6:45:04 PM D:\MY DOCUMENTS\RV\ELECT\ALTERNATOR CHG.DWG



NOTES:
 BOOST SW (ON) & Δ = MOMENTARY.
 OIL PRESSURE SW ADDED TO ENGINE.
 IF THE ALTERNATOR IS NOT WORKING, THE GENERATOR
 CAN BE RUN TO CHARGE BOTH BATTERIES WHILE DRIVING
 AS THE BOOST SOLENOID WILL BE ACTUATED.

Use added oil pressure switch to turn on solenoid for charging.	SCALE:N/A	PROJECT:BATTERY CHARGE OPTION	TITLE:OPT ALTERNATOR CHARGE CONN
	DRAWN:JIM EXLER	LOC:NAMPA, ID	DRG: ALTCHG2
	DATE:1/24/17	JOB NO:N/A	Altenator Chg.dwg
			REVISION 0