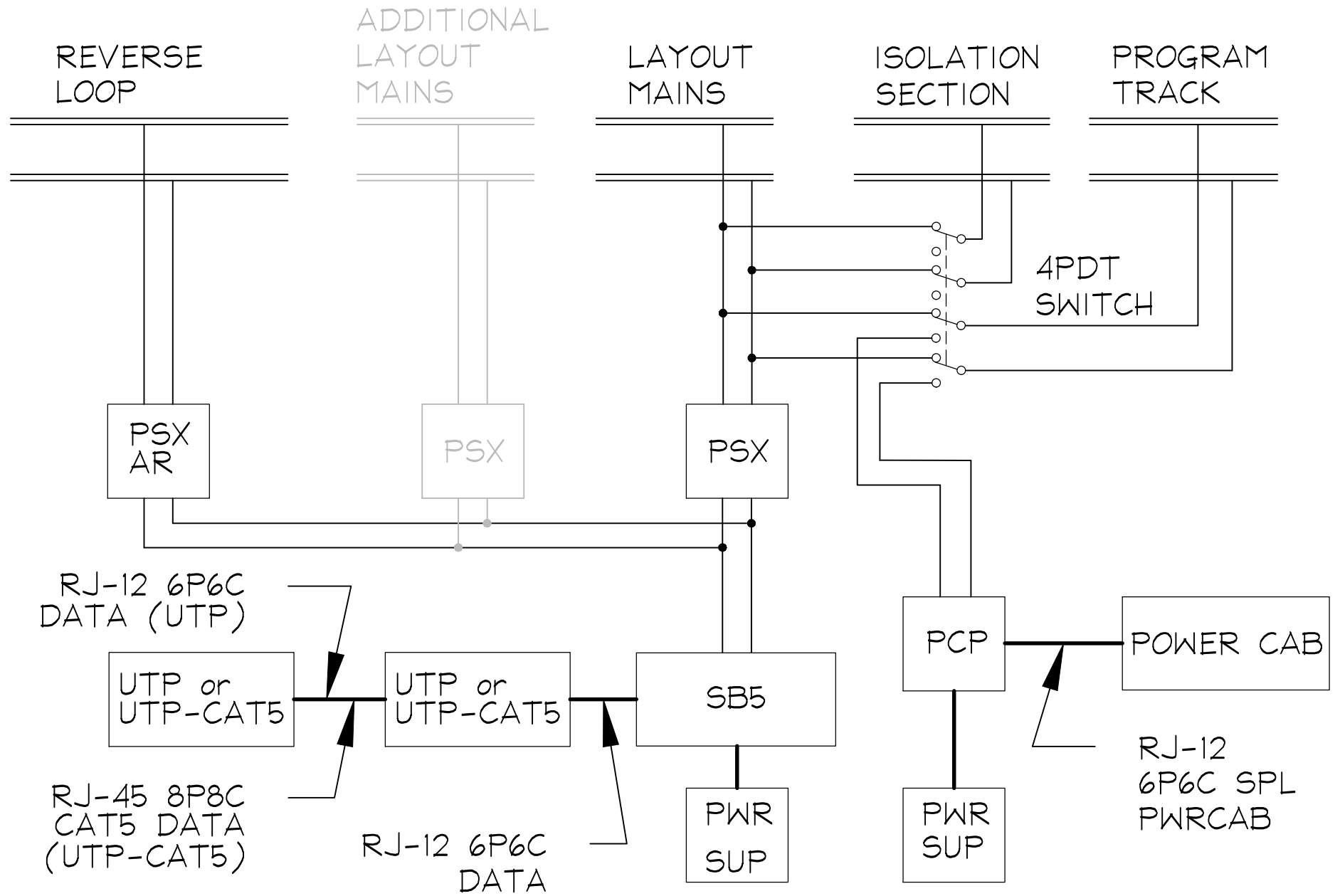


06/20/20 9:25:38 AM D:\MY DOCUMENTS\JIM FILES\823 W RIVER STONE CT\823 PLANS\823 HR RR WIRE.DWG



SCALE: N/A	PROJECT: NCE Layout Wire	TITLE: NCE DCC WIRING	REVISION 0
DRAWN: JIM EXLER	LOC: 823 WRS	DRG: NCEDCC2	
DATE: 4/7/20	JOB NO: 823R	823 HR RR Wire.dwg	