

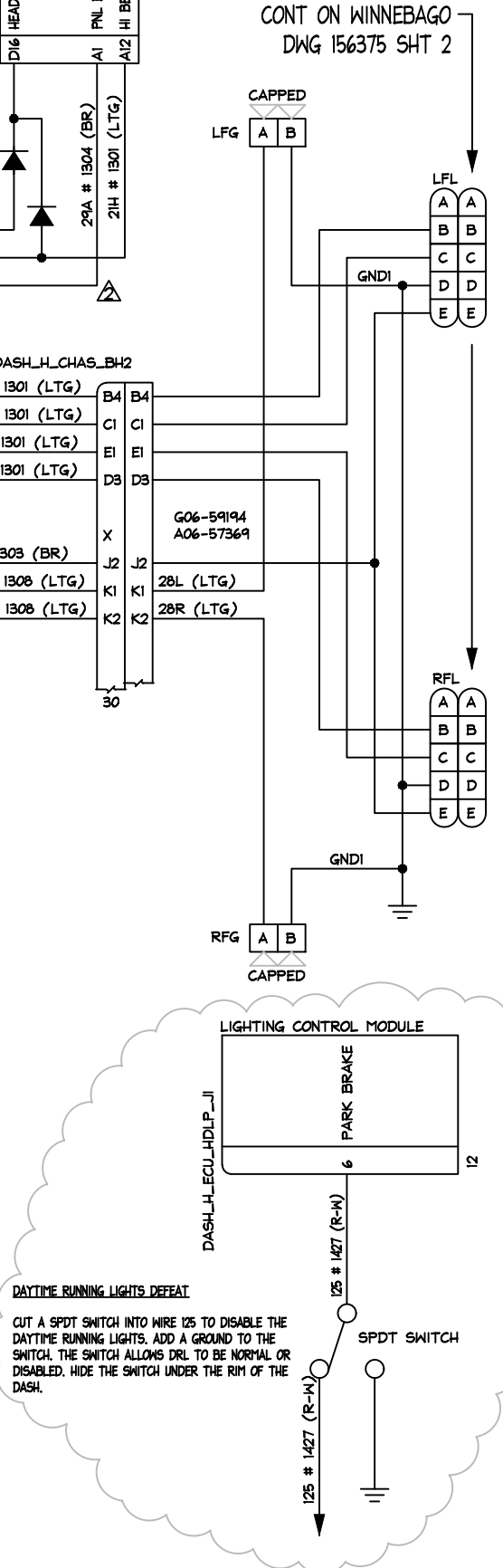
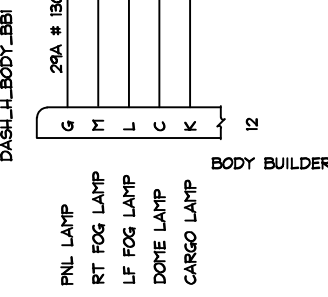
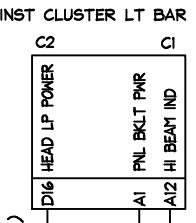
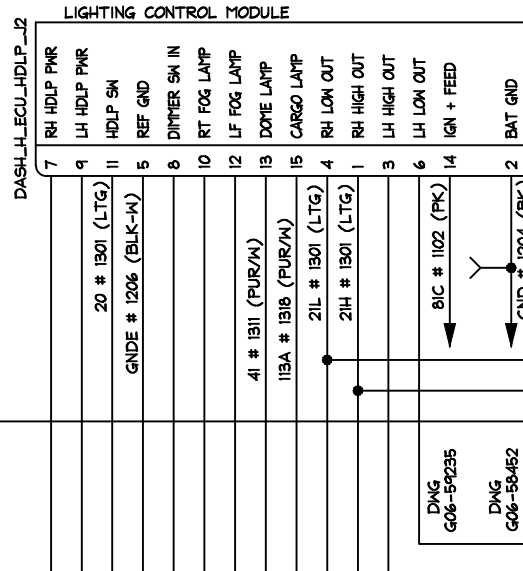
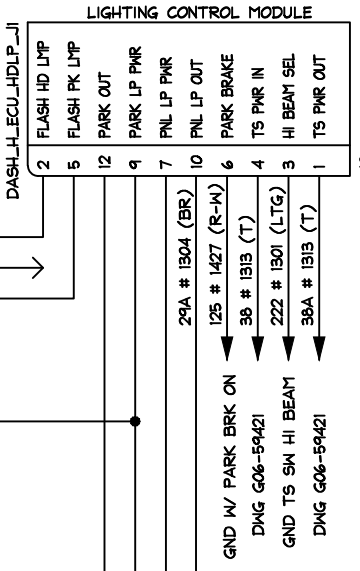
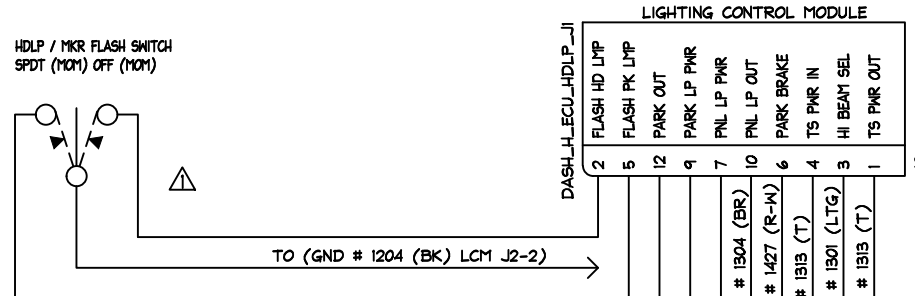
LOW BEAMS ON AS DRL (9.36 VOLTS) WITH IGN ON, HEADLIGHTS OFF AND PARK BRAKE OFF. GROUND AT LIGHTING MODULE J1 PIN 6 WILL DEFEAT DRL.

HEADLIGHT SWITCH READINGS (A4 to A3)

SWITCH POSITION	OHMS		VOLTS	
	NO FOG	W/ FOG	NO FOG	W/ FOG
OFF	4.51K	N/A	4.645	N/A
PARK	315	589	2.53	3.275
HEADLIGHT	419	1100	2.88	3.89

MANUAL TEST WITH VARIABLE RESISTOR FROM A4 TO A3. PARK WAS ON AT LOW TEST PT (MY LOW LIMIT). HEADLAMP CAME ON AT 2.67V AND BOTH WERE ON AT UPPER LIMIT OF VAR RES.

	OHMS	VOLTS
PARK ON, LOW TEST PT	150	1.61
HEADLAMP ON, MIN	382	2.67
HIGH LIMIT TEST PT	2000	4.07



This document and the design it covers are the property of JAMES EXLER. They are loaned only with the borrower's expressed agreement that they will not be reproduced, copied, loaned, exhibited, or used in any other way, except by written consent from JAMES EXLER.

REV	BY	REVISION DESCRIPTION	DATE
0	JHE	INITIAL RELEASE	6/8/16
1	JHE	ADD HDL/MKR FLASH SWITCH	7/22/16
2	JHE	ADD LT BAR PNL LT WIRE	11/9/19

Project: 2007 WINNEBAGO JOURNEY
 Job Number: 34H
 Owner: James Exler
 Address: 823 W River Stone Ct
 City, St, Zip: Nampa, ID 83686
 Parcel Number: (208) 461-7033
 Title: HEADLAMP / MARKER

Drawn Date: 6/7/16
 Drawing Scale: N/A
 Drawn By: JIM EXLER
 Drawing Number: WJHDMKI
 Rev #: 2